

## PRODUCT DATA SHEET

### Megaron - Floor - Aluminium


**DESIGN BY:**

Gianfranco Frattini  
1979

**MATERIALS:**

Aluminium, steel, technopolymer

**DESCRIPTION:**

With dimmer.

**SELECT**

EXTRA HALO / LED

Polished aluminium

**PRODUCT CODE**

A014100

**Light emission**


IP20

Dimmable

**TECHNICAL DATA SHEET**
**FEATURES**

Product name:	Megaron - Floor - Aluminium
Article Code:	A014100
Colour:	Polished aluminium
Material:	Aluminium, steel, technopolymer
Series:	Design
Environment:	Indoor
Area contract:	

**DIMENSIONS**
**OPTICS**

Emission:	Indirect
-----------	----------

**DIMENSIONS**

Width:	cm 15
Height:	cm 182
Base Diameter:	cm 35
Impact Resistance:	N/D
Glow Wire Test:	650 °

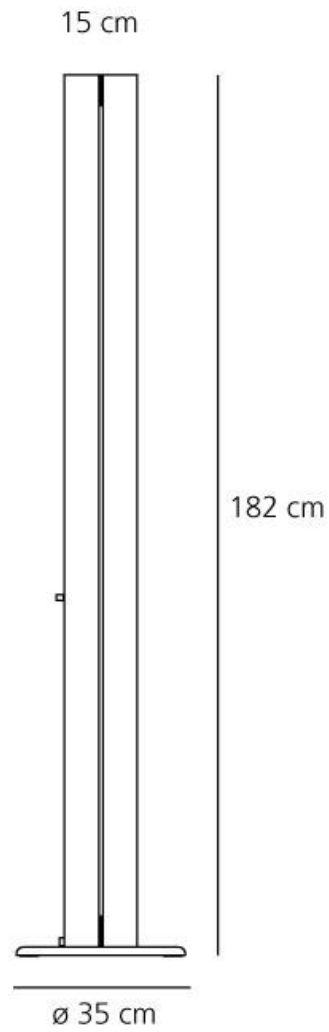
**LAMPS NOT INCLUDED**

Category:	HALO
Number:	1
Lbs:	Qt-de12
Watt:	400W
Socket:	R7s
Type:	Hdg
Luminous Flux (lm):	9000lm
Colour Rendering:	1a
Colour temperature (K):	2950K

**ALTERNATIVE LAMPS**


Category:	LED
Watt:	11W
Luminous Flux (lm):	650lm
Socket:	R7s
Class:	A

Watt: 400W  
Voltage: 220V-240V  
Luminous Flux (lm): 9000lm  
CCT: 2950K  
Dimmer  
Dimmable



COLOUR



#### AWARDS



\_1981 Compasso d'Oro / A.D.I. Segnalazione Milano (Italia) \_1981 BIO  
9 – Honourable mention Ljubljana (Slovenia) \_1987 Sixth Arango  
International Design Exhibition Miami (US)