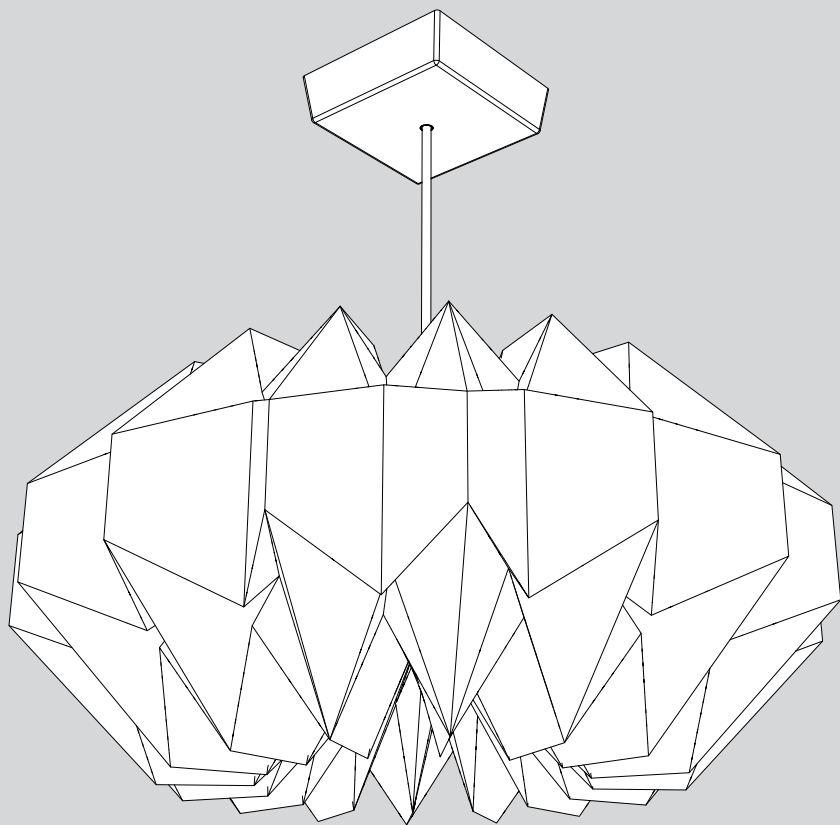


Artemide®

陰翳
IN-EI
ISSEY MIYAKE

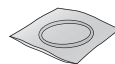
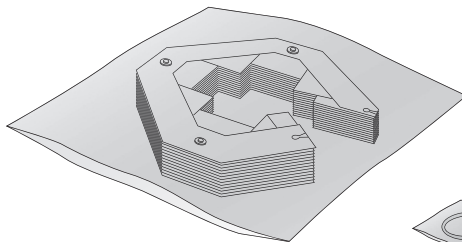
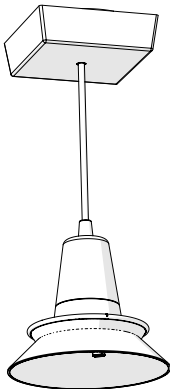
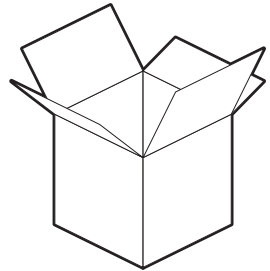
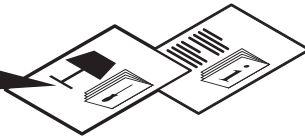
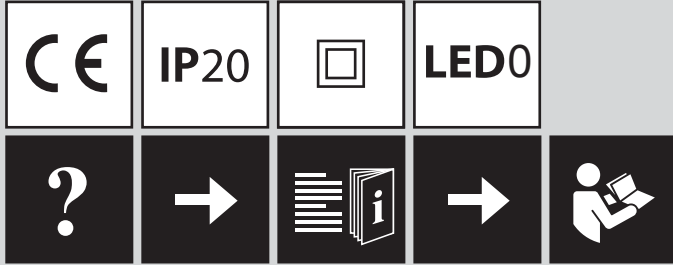
Wuni

design
Issey Miyake + Reality Lab.

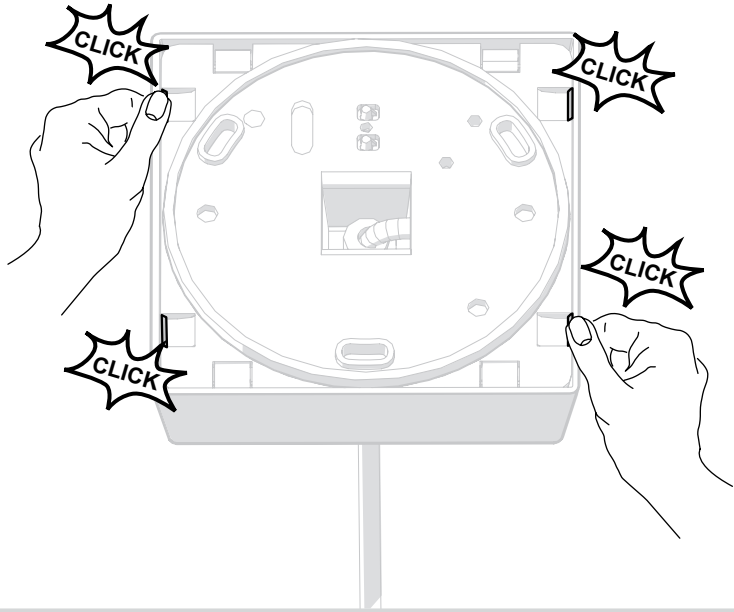




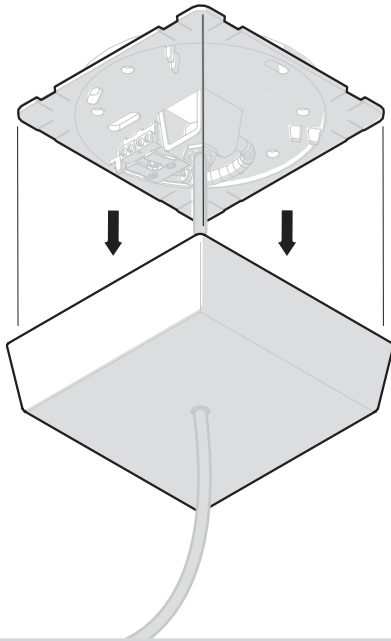
i

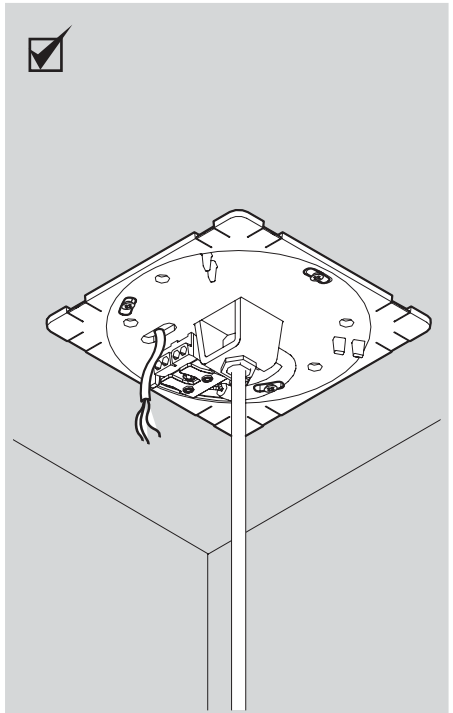
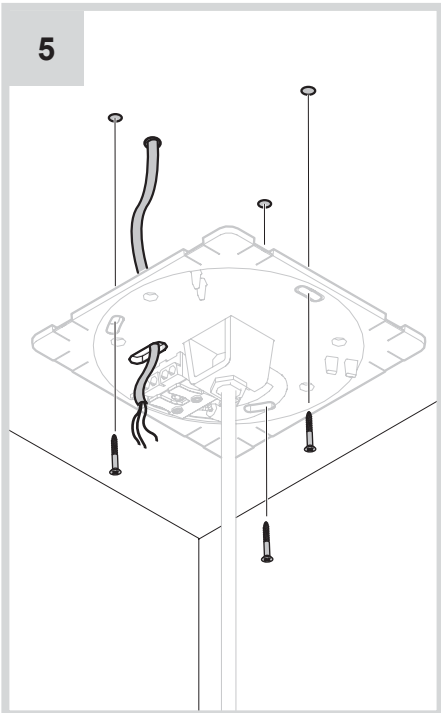
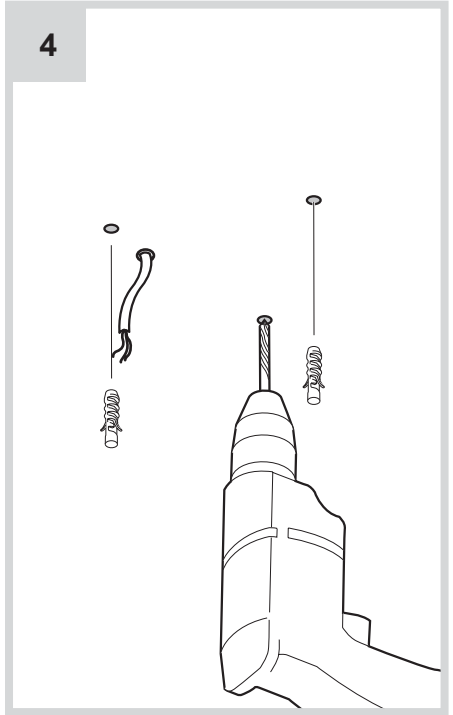
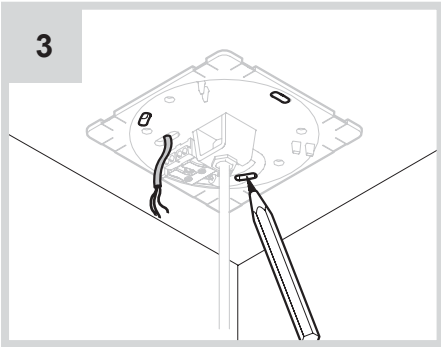
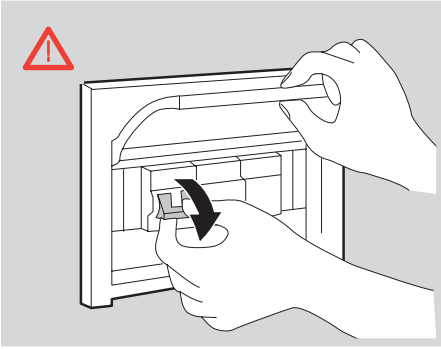


1

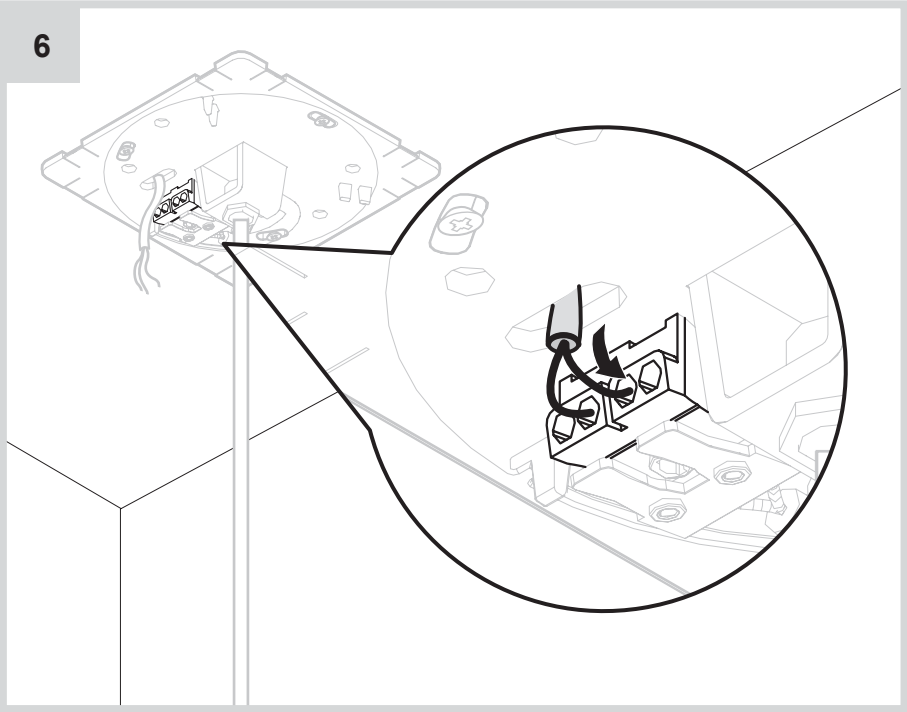


2

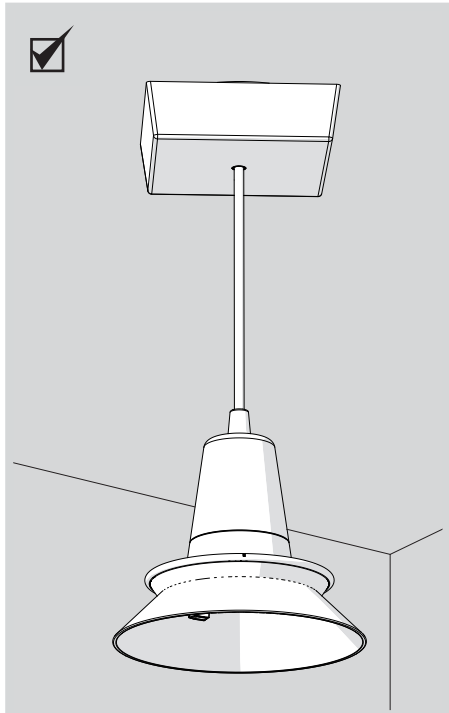
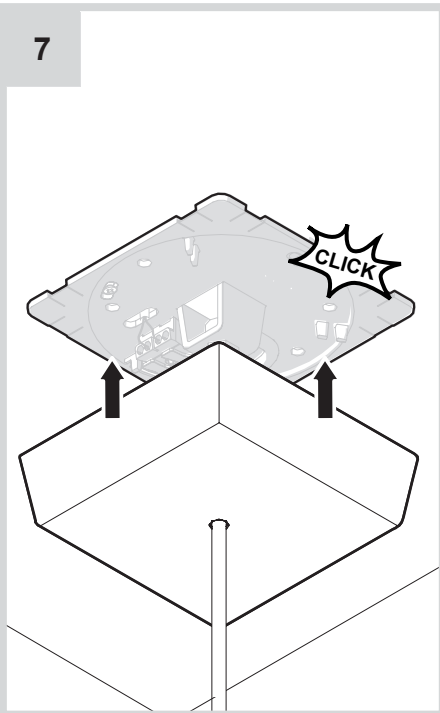




6

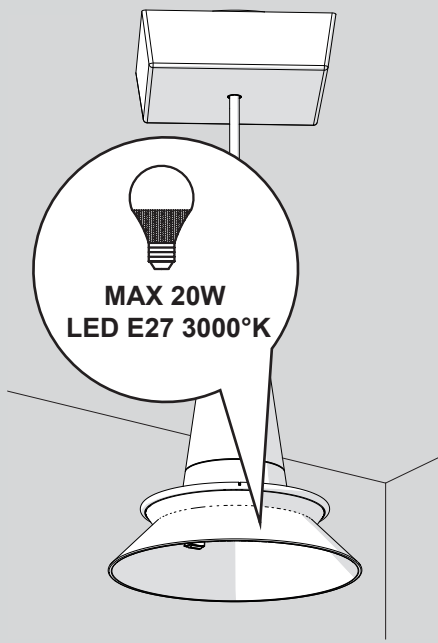


7





i



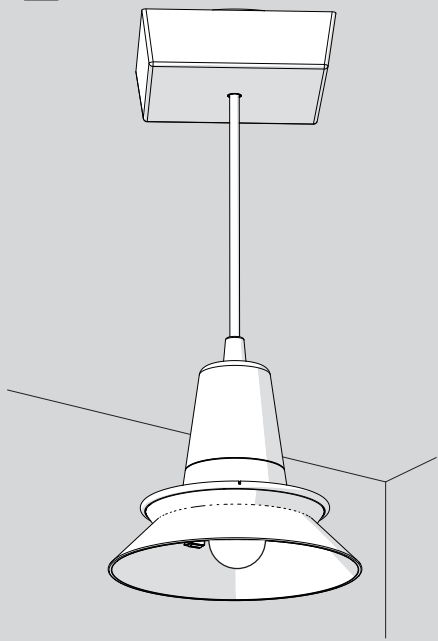
HALO



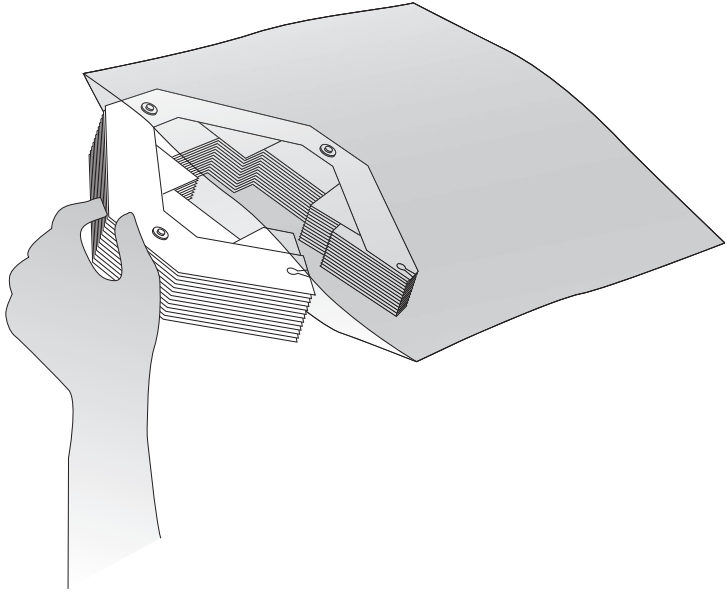
HALO



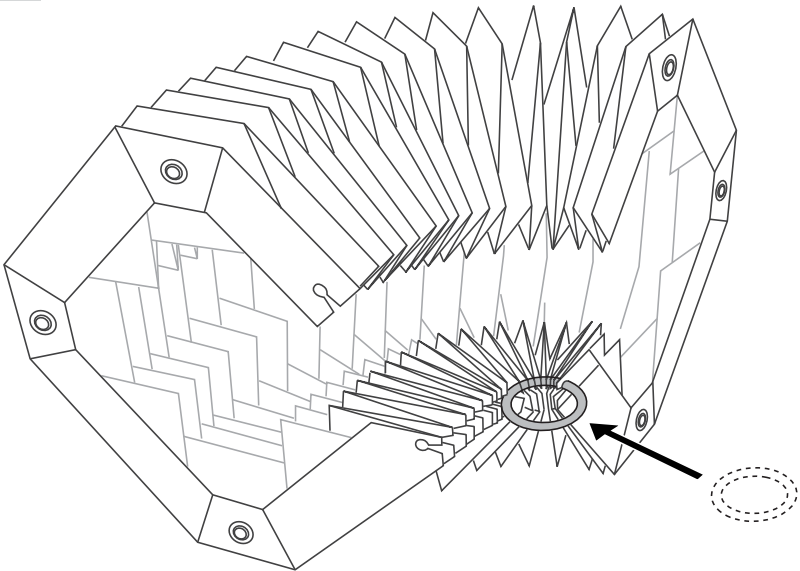
FLUO



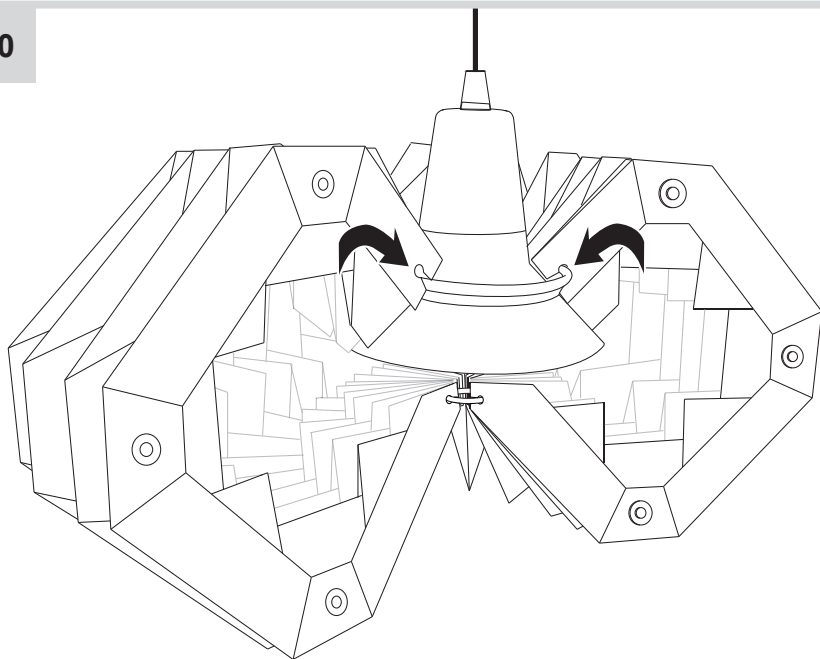
8



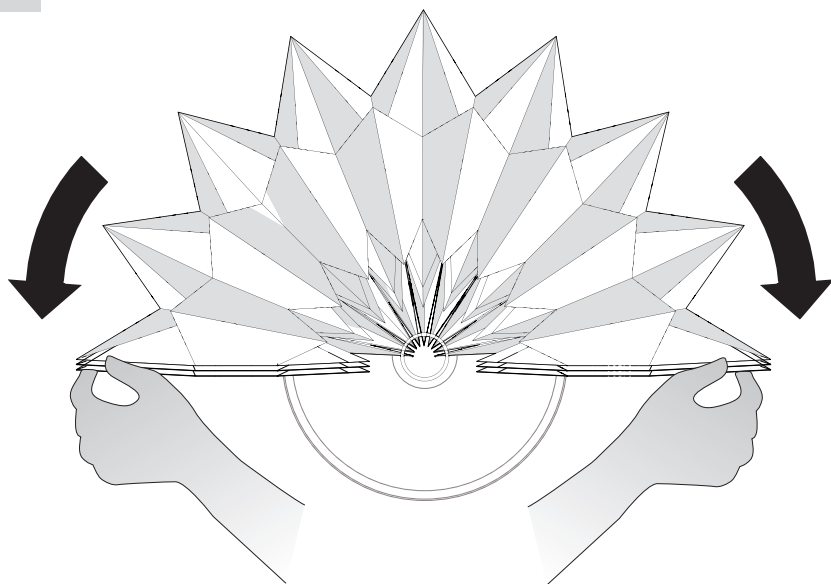
9

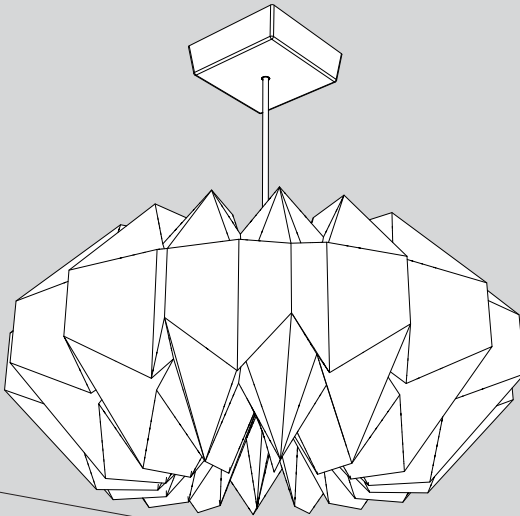


10



11



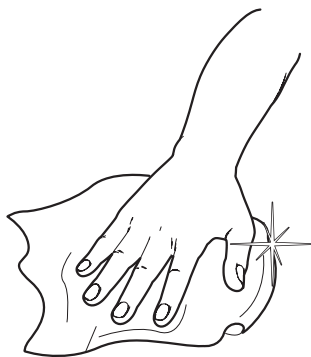




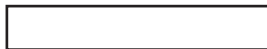
i



1



Artemide®



Artemide

via Bergamo, 18
20010 Pregnana M.se (MI)
ITALIA

tel. +39 02 935 181
fax +39 02 935 90 254
fax +39 02 935 90 496

www.artemide.com

VAT IT00846890150

cod. Y513000238