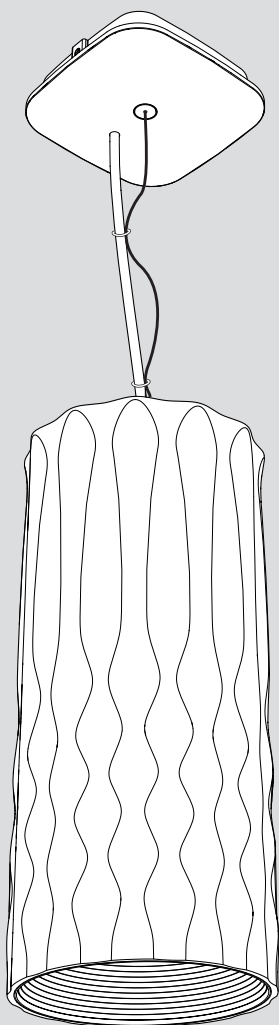


Artemide®

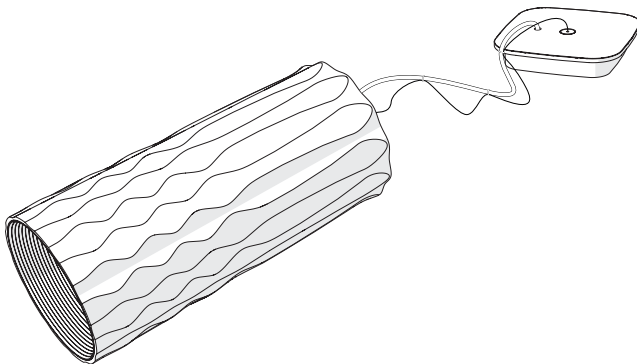
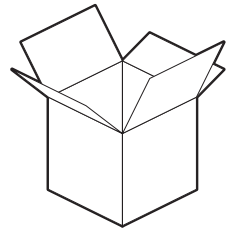
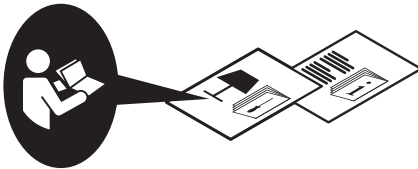
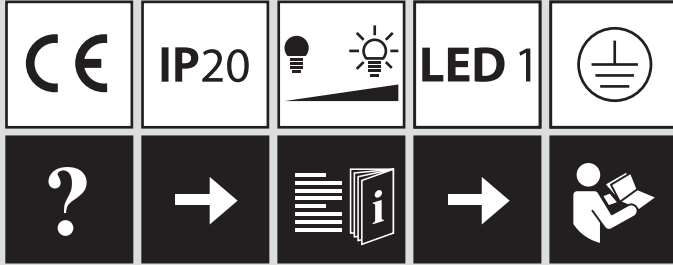
Fiamma

design
Wilmotte & Industries

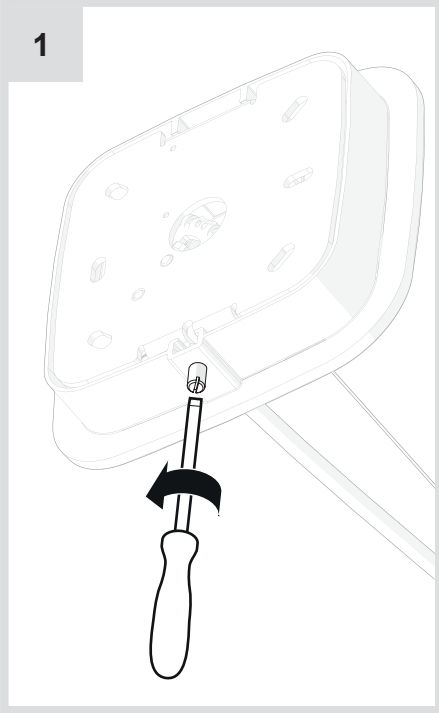




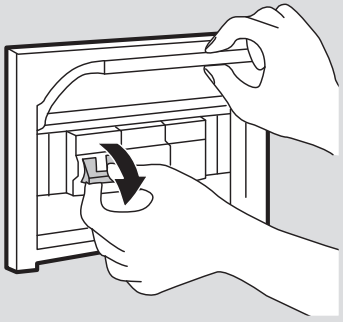
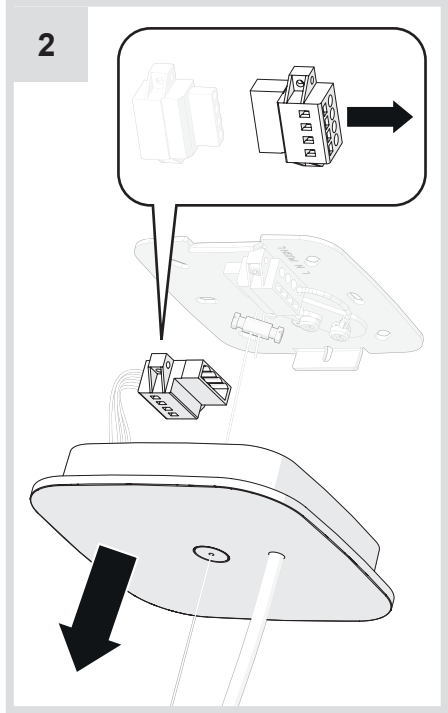
i



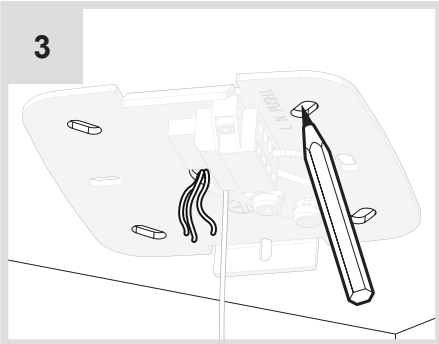
1



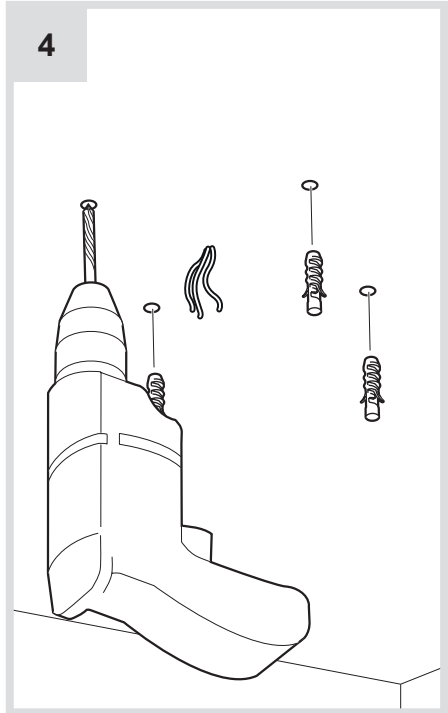
2



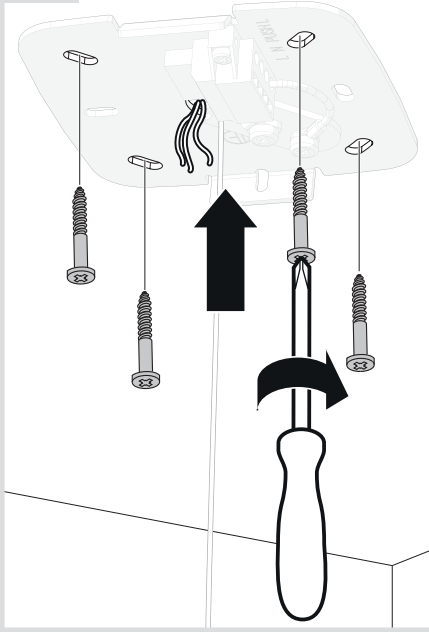
3



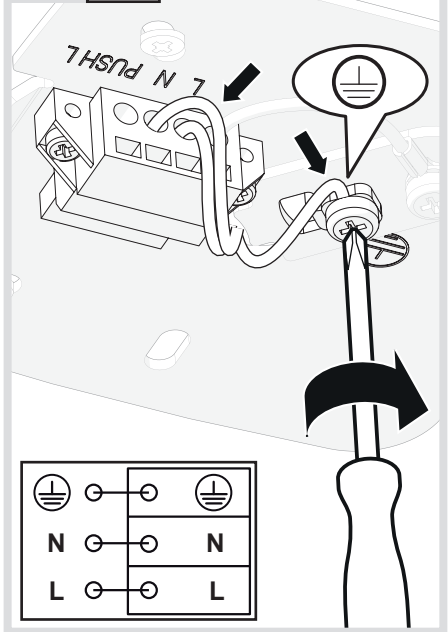
4



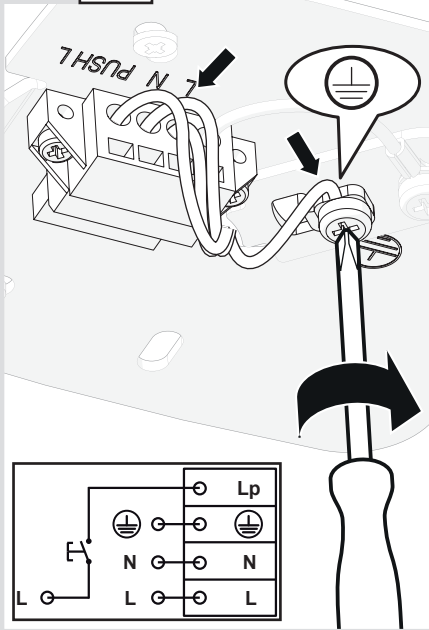
5



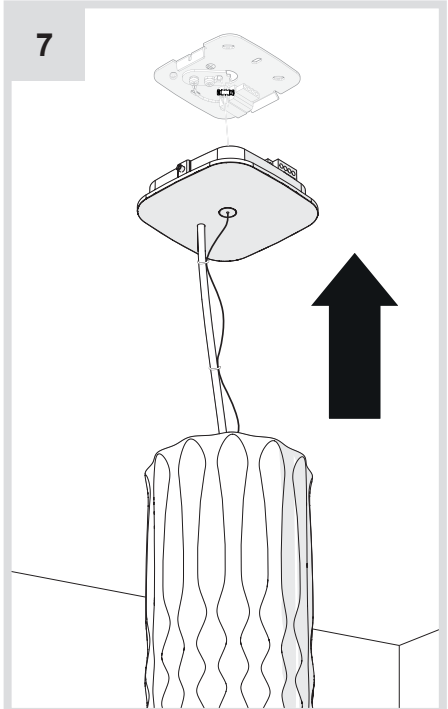
6a



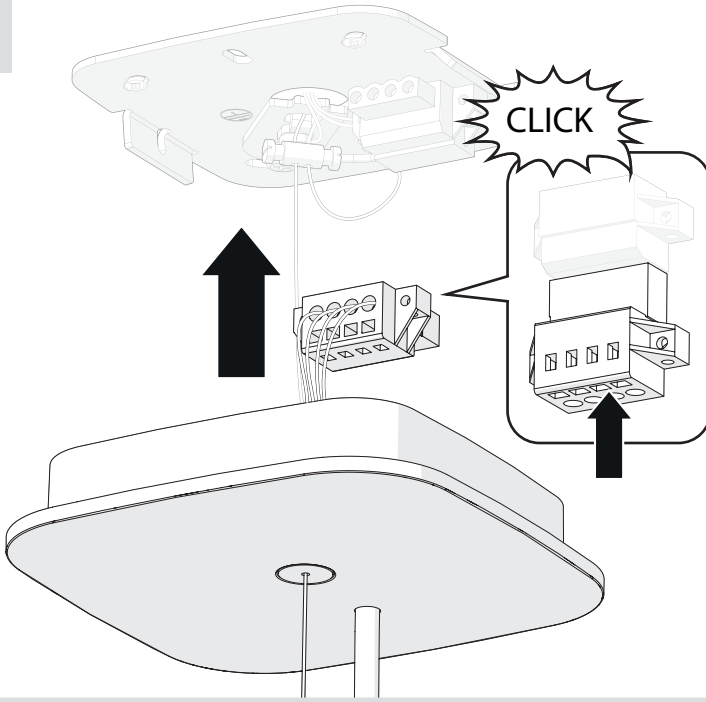
6b



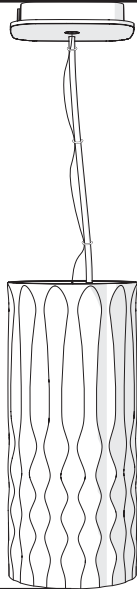
7



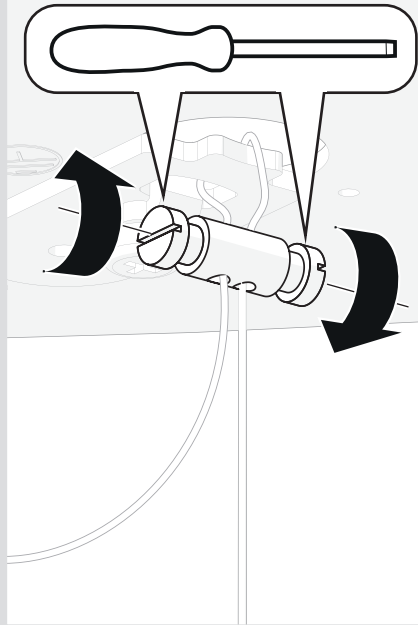
8



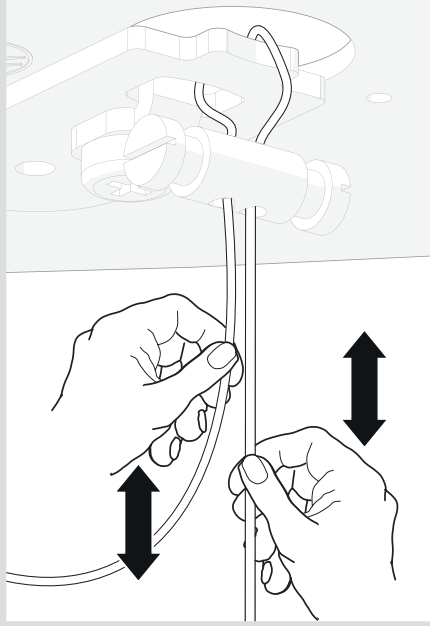
max 200 cm



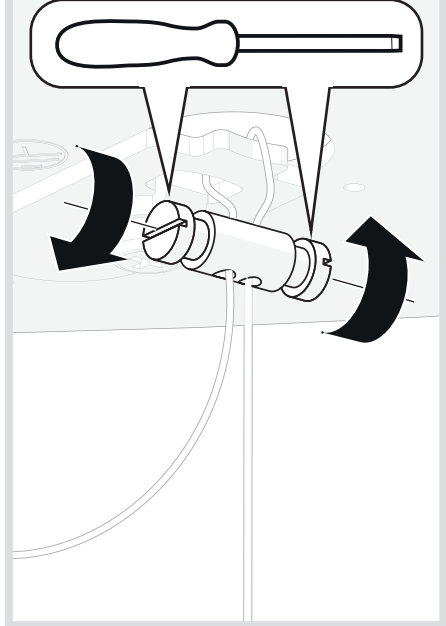
9



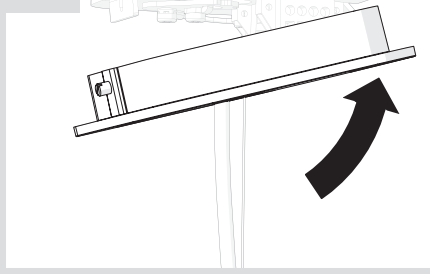
10



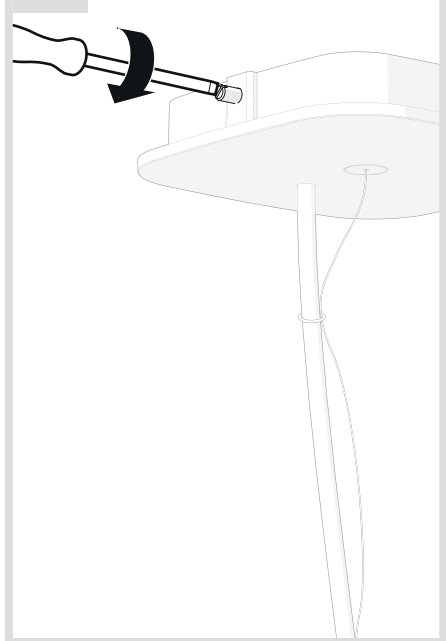
11



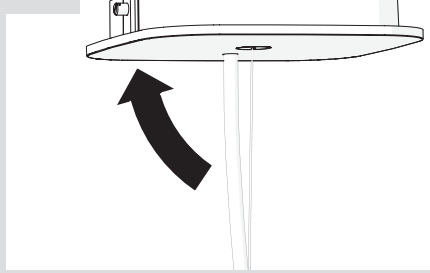
12

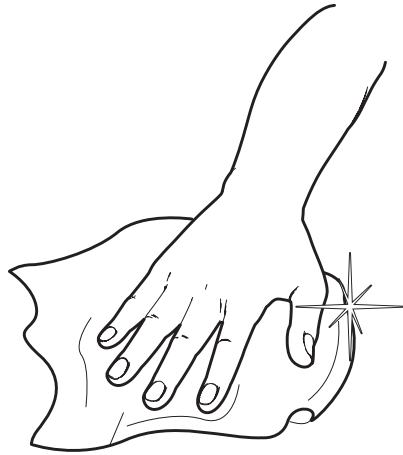
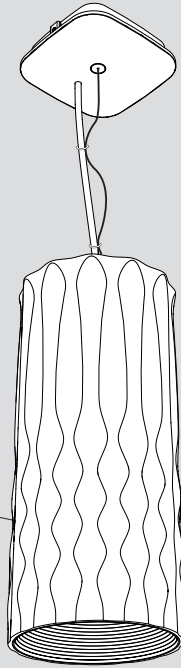


14



13





Artemide®



Artemide

via Bergamo, 18
20010 Pregnana M.se (MI)
ITALIA

tel. +39 02 935 181
fax +39 02 935 90 254
fax +39 02 935 90 496

www.artemide.com

VAT IT00846890150

cod. Y513000385B