

PRODUCT DATA SHEET

Eclisse Red



DESIGN BY:

Vico Magistretti
1967

MATERIALS:

steel, technopolymer

DESCRIPTION:

Materials: painted metal. Wall mounting possibility.

SELECT

EXTRA HALO / LED

Red

PRODUCT CODE

0028030A

Light emission



IP20

TECHNICAL DATA SHEET

FEATURES

Product name:	Eclisse Red
Article Code:	0028030A
Colour:	Red
Material:	steel, technopolymer
Series:	Design, Modern Classic
Environment:	Indoor
Area contract:	Private Residence

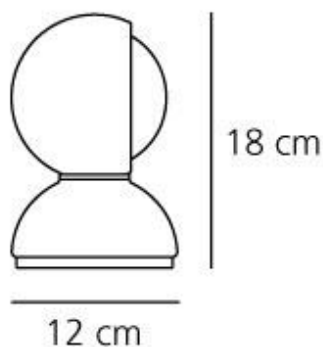
OPTICS

Emission:	Diffused And Direct
-----------	---------------------

DIMENSIONS

Height:	cm 18
Diameter:	cm 12
Base Diameter:	cm 12
Impact Resistance:	N/D
Glow Wire Test:	850 °

DIMENSIONS



COLOUR



LAMPS NOT INCLUDED

<input type="checkbox"/>	Category:	HALO
	Number:	1
	Watt:	25W
	Socket:	E14
	Class:	A

ALTERNATIVE LAMPS

LED retrofit

Category:	LED
Watt:	4W
Luminous Flux (lm):	370lm
Socket:	E14
Class:	A

LUMINAIR

Watt:	25W
Voltage:	220V-240V
Luminous Flux (lm):	170lm
CCT:	2800K

AWARDS



1967 Compasso d'Oro/ADI XIV Triennale de Milan (Italie)