

PRODUCT DATA SHEET

Callimaco LED 3000K


DESIGN BY:

Ettore Sottsass
1982

MATERIALS:

Aluminium, steel

DESCRIPTION:

Base and diffuser in painted steel, stem in painted aluminium, handle in polished chrome metal plate. Indirect light emission. Colour: multicolour.

LED included, with dimmer.

SELECT

PRODUCT CODE

A011100

Light emission


IP20

Dimmable

TECHNICAL DATA SHEET
FEATURES

Product name: Callimaco LED
3000K
Article Code: A011100
Colour: Multicolour
Material: Aluminium, steel
Series: Design
Environment: Indoor
Area contract: Private Residence

DIMENSIONS
OPTICS

Emission: Indirect

DIMENSIONS

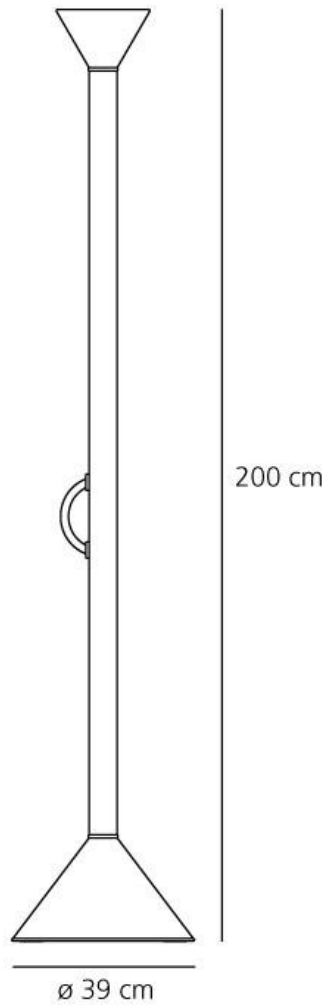
Height: cm 200
Diameter: cm 39
Impact Resistance: N/D
Glow Wire Test: 650 °

LAMPS INCLUDED

Category: LED COB
Number: 1
Watt: 45W
Luminous Flux (lm): 4230lm
Color temperature (K): 3000K
Class: A

LUMINAIR

Watt: 45W
Voltage: 220V-240V
Luminous Flux (lm): 3449lm
CCT: 3000K
Efficiency: 92%
Efficacy: 77lm/W
CRI: 90
Dimmer
Dimmable



COLOUR



AWARDS

_Twentieth Century Design Collection of the Metropolitan Museum of Art New York (US) _The Israel Museum Jerusalem (Israel)