

PRODUCT DATA SHEET

90° Office



DESIGN BY:

Ernesto Gismondi
2014

MATERIALS:

DESCRIPTION:

Floor lamp with a broad extension of the arm. Materials: painted steel base; lamp body in extruded painted aluminium; head in red painted die-cast aluminium. Specification: the lamphead can be rotated of 55° upwards and is equipped with two different lenses for the Home and Office version.

SELECT

LED - EXTRA LED

Red

PRODUCT CODE

1930010A

Light emission

IP20



TECHNICAL DATA SHEET

FEATURES

Product name: 90° Office
Article Code: 1930010A
Colour: Red
Series: Design

DIMENSIONS

Length: cm 203
Height: cm 190
Base Width: cm 30

LAMPS INCLUDED

Category: LED
Number: 1
Watt: 17W
Luminous Flux (lm): 2211lm
Color temperature (K): 3000K
Class: A

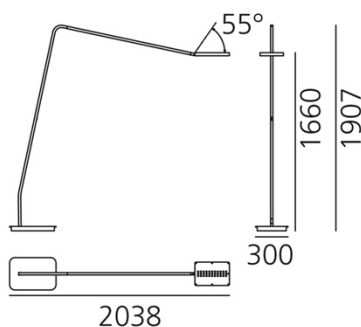
LAMPS NOT INCLUDED

ALTERNATIVE LAMPS

LED

Category: LED
Watt: 122 W
Color temperature (K): 3000 K
Class: A

DIMENSIONS



COLOUR



LUMINAIR

Watt: 20W
Luminous Flux (lm): 2097lm
CCT: 3000K
Efficiency: 88%
Efficacy: 104.85lm/W
CRI: 80
Dimmer

